

F9000 cylinder

External rim nickel-plated, diam. 35 mm, U.S. type



MECHATRONIC VERSION. CONVENTIONAL MULTI-PROFILE, NON-DUPLICABLE KEY.



A flexible and safe solution to protect your environments

F9000 combines the high security of mechanics with the flexibility of electronics. F9000 V3 cylinder offers the state of the art in terms of technology evolution and security. It embeds a new powerful micro-processor for security improvements (AES encryption ready) and it's ready for new market needs and features (future proof).

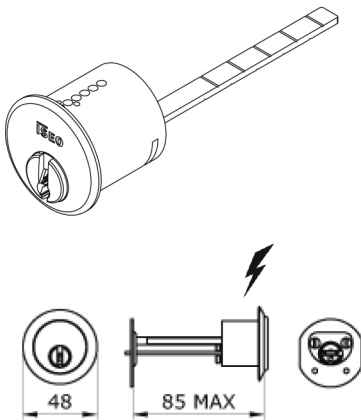
Access all gates with a single key

F9000 mechatronic cylinder has the same installation and easy maintenance features as a mechanical one because it doesn't require any wiring or batteries in the cylinder. It is the ideal solution for the control of gates in any private and public building and for the management of common areas and entrances (from the single room to the building).

Product features

- Each key has customized access right which can be modified at any time according to the different
- building management needs.
- Energy is on the key and it doesn't require any wiring.
- AES Encryption ready
- Unique non duplicable key with customized authorizations
- Fast key authentication (< 80 ms)
- Storage of opening and forcing events in the key (1000 standard events)
- Up to 120.000 keys in a single system
- Temporal validity and time slots

F9000 cylinder External rim nickel-plated, diam. 35 mm, U.S. type



FINISH

 Nickel plated

cod. **87VA040859M**

ACCESS CREDENTIALS

- Mechatronic Key

COMMUNICATION INTERFACE

- Data and energy transfer without electrical contact

CERTIFICATIONS

- EN1303:2015 "16000C6D" classification
- EN15684:2012 "16B4FF32" classification

Technical features

FIRMWARE

1RIS

RELEASE

V3

POWER UNIT

No batteries in the cylinder, data and energy transfer from the F9000 key without electrical contact

PRODUCT COMPATIBILITY

Compatible with Iseo CSF high security mechanical cylinders.

The installation requires only a fixing screw just like a mechanical cylinder. To be used with rim locks without external cylinder.

Screws for inside fixing.

For doors max thickness mm 85

ENVIRONMENTAL FEATURES

- IP66
- IP67
- IP68
- IP69
- H.R. max. 93% without condensing

WORKING TEMPERATURE

-20°C ÷ +60°C

STORAGE TEMPERATURE

-20°C ÷ +70°C

PACKAGE

1 Mechatronic Cylinder, without keys

Compatibility with ISEO applications

ARGO	LUCKEY	LSA	V364
-	•	•	•
